



GREAVES EXCLUSIVE

POOL and SPA

“Jones Bond™” system

CONTINUOUS LOOP BONDING & GROUNDING

Swimming pools / spas, foundation footings, agricultural buildings and other difficult environments

JONES REBAR CLAMP

Connect grounding electrode conductor to rebar (concrete encased electrode) for Ufer ground
Rugged and compact with no awkward projections - easy coverage in concrete

Lay-in feature allows continuous-run or termination

Cast bronze body with stainless steel hardware

The J32-DB handles a range of rebar sizes and wire sizes

CSA (C US) certified and UL listed for direct burial in earth or concrete **Rebar Clamp**

Direct Burial

Continuous loop
Copper wire only



NAED NUMBER	CATALOG NUMBER	WIRE RANGE	REBAR SIZE		CTN QTY	EST. SHIPPING	
			#	INCH		WEIGHT (lbs)	UNIT
27101	J 29-DB	6 SOL - #8	3	3/8	50	7.74	CTN
27110	J 30-DB	4 STR - #8 SOL	4	1/2	50	8.49	CTN
27120	J 31-DB	2/0 STR - *#6 SOL	5	5/8	25	5.66	CTN
27130	** J 32-DB	4/0 STR - #6 SOL	4,5,6	1/2,5/8,3/4	12	4.18	CTN

J-series clamps are designed for bare rebar only
Do not use on ground rod, pipe, or epoxy-coated rebar
Installation torque 150 in-lbs
*UL listed for #4 STR - #2 STR
**Not UL listed

BEAVER TOOTH LUG

Use on electrical equipment, pool/spa equipment, conduit bushings
Copper body, stainless steel screw, for use with copper wire only

Lay-in-Lug

Direct Burial

Copper wire only



NAED NUMBER	CATALOG NUMBER	WIRE RANGE	BOLT SIZE	CTN QTY	EST. SHIPPING	
					WEIGHT (lbs)	UNIT
27201	BTL 4-DB	#4 -14 AWG	#10	50	3.06	CTN
27202	BTL 4-DBP	#4 -14 AWG	#10	50	3.06	CTN
27205	BTL 414-DB	#4 -14 AWG	1/4	50	3.89	CTN
27206	BTL 414-DBP	#4 -14 AWG	1/4	50	3.89	CTN

DBP is tin-plated for use on aluminum pool structure. Use of oxide-inhibitor is recommended.

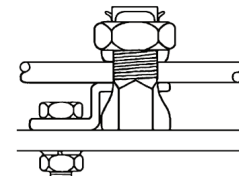
BUGLUGS™

Heavy duty silicon bronze and copper, tin-plated

Lay-in-Lug

Direct Burial

Copper wire only



NAED NUMBER	CATALOG NUMBER	WIRE MAX	MOUNTING BOLT SIZE	CTN QTY	EST. SHIPPING	
					WEIGHT (lbs)	UNIT
70850	BL 6	#6	#10	50	2.92	CTN
70855	BL 4	#4	1/4	50	4.40	CTN
70860	*BL 2	#2	1/4	50	5.80	CTN
70865	*BL 1/0	1/0	5/16	25	5.27	CTN

Tin-plated for use on aluminum pool structure. Use of oxide-inhibitor is recommended. *Not CSA

MESH-BUG™

Use to connect copper conductor to wire mesh

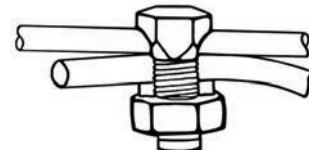
Copper-alloy bronze construction

Sizes available for rolled (#10) and heavy (#6) wire mesh

UL listed for direct burial in earth and concrete

Direct Burial

Copper wire only



NAED NUMBER	CATALOG NUMBER	MESH/ WIRE SIZE	COPPER COND. RANGE (AWG)	EST. SHIPPING	
				WEIGHT (lbs)	UNIT
10131	A2-DB	#10	#8 -12 AWG	0.03	EA
10132	A3-DB	#10	#6 SOL - 8 AWG	0.05	EA
10241	A5-DB	#6, #10	#4 AWG - 8 SOL	0.06	EA
10361	A8-DB	#2	#2 - 6 AWG	0.11	EA
10261	A10-DB	#1/0	#1/0 - 4 AWG	0.16	EA



GREAVES

POOL and SPA

"Jones Bond™" System

Direct Burial

Copper wire only

GROUND ROD CLAMPS

For connecting ground wire to ground rod

Cast bronze body with silicon bronze bolt

UL listed for direct burial in earth and concrete

NAED NUMBER	CATALOG NUMBER	GROUND ROD SIZE (IN)	GROUND WIRE MAX	CTN QTY	EST. SHIPPING	
					WEIGHT (lbs)	UNIT
27000	G 29	3/8	#4 STR	50	3.3	CTN
27010	G 30	1/2	#4 SOL	50	4.2	CTN
27015	G 31E	5/8	#2 STR	50	4.9	CTN
27020	G 31	5/8	1/0 SOL	50	5.6	CTN
27030	G 32	3/4	#2 SOL	50	6.7	CTN
27040	G 100	1	4/0 STR	25	7.6	CTN



PIPE CLAMPS

For connecting ground wire to water pipe

Cast bronze body, silicon bronze or stainless steel screws

UL listed for direct burial in earth and concrete

NAED NUMBER	CATALOG NUMBER	WATER PIPE SIZE (IPS)	GROUND WIRE MAX	CTN QTY	EST. SHIPPING	
					WEIGHT (lbs)	UNIT
70620	G 1S-DB	1/2 - 1	#2 STR	50	9.5	CTN
70622	G 2S-DB	1 1/4 - 2	#2 STR	25	9.0	CTN



Direct Burial



U-BOLT CLAMPS

Heavy Duty U-bolt Clamps

Use to connect wire to pipe, rod, or fence posts

Cast bronze bodies with silicon bronze hardware

CSA Certified for direct burial in earth and concrete

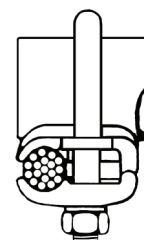
NAED NUMBER	CATALOG NUMBER	ROD SIZE (IN)	WATER PIPE SIZE (IPS)	CABLE RANGE	EST. SHIPPING	
					WEIGHT (lbs)	UNIT
25020	C 101	1/2	1/4		0.5	EA
25080	C 104	5/8 - 3/4	3/8	2/0 - #4	0.6	EA
25160	C 108	7/8 - 1	1/2 - 3/4		0.6	EA
25260	C 114	-	1		0.7	EA
25360	C 120	-	1 1/4	2/0 - #4	0.9	EA
25560	C 132	-	2		1.0	EA
71245	C 142	-	3		1.5	EA

See C100 Series for complete listing of sizes.

PLATING: For tin plating of above items add suffix "P" to Catalog Number.

Direct Burial

Continuous Loop



Parallel or 90° connection to rod or pipe

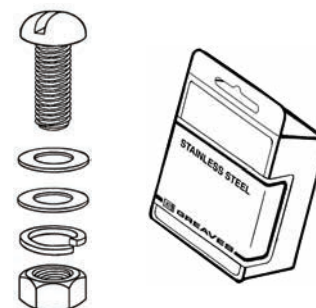
STAINLESS STEEL HARDWARE KITS

Sets of stainless steel screws, washers, and nuts

Use to mount BTL-DB and BL Series lugs to equipment

Each kit packaged in clear plastic display box

NAED NUMBER	CATALOG NUMBER	SCREW		KIT CONTENTS				EST. SHIPPING	
		SIZE	L (IN)	SCREWS	WASHERS FLAT	WASHERS LOCK	NUTS	WEIGHT (lbs)	UNIT
27221	SS 10-A	10-24	1/2	50	100	50	50	.4	KIT
27223	SS 10-B		3/4					.5	KIT
27225	SS 10-C		1					.6	KIT
27226	SS 10-D		1 1/4					.6	KIT
27231	SS 0-A	1/4-20	1/2	25	50	25	25	.6	KIT
27233	SS 0-B		3/4					.7	KIT
27235	SS 0-C		1					.8	KIT
27237	SS 0-D		1 1/2					.9	KIT



Direct Burial

For larger sizes of stainless steel or silicon bronze see hardware section.

www.greaves-usa.com

Phone 860-664-4505 • Fax 860-664-4546

TOLL FREE 1-800-243-1130 (Outside CT)