



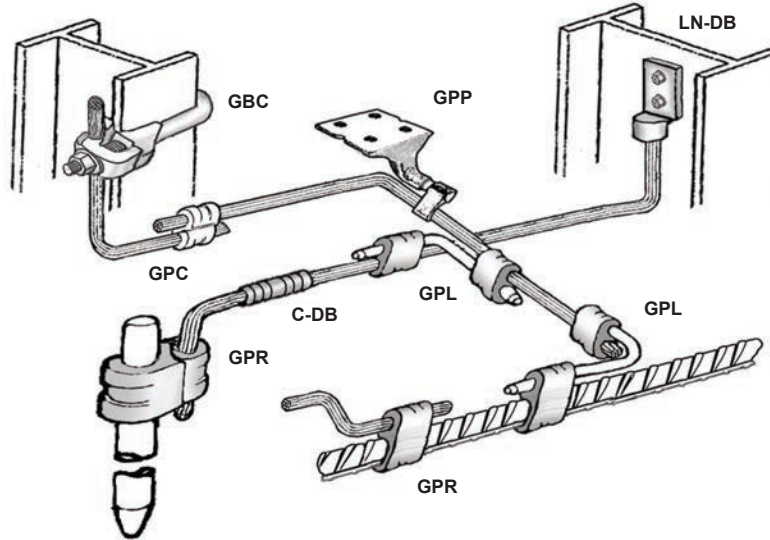
GREAVES

GROUND-PRES™

IRREVERSIBLE COMPRESSION SYSTEM

Irreversible compression "C tap" connectors for direct burial grounding grid applications

Direct Burial



Tap or lap-splice for wire-to-wire connections
GPC SERIES

CAUTION
Use of wash-off resistant oxide-inhibitor is recommended with all underground joints.

NAED NUMBER	CATALOG NUMBER	WIRE RANGE		DIE	CTN QTY	EST. SHIPPING	
		MAIN	TAP			WEIGHT (lbs)	UNIT
12946	GPC46	#4STR-6SOL	#6STR-6SOL	BG or 5/8	50	2.3	CTN
12944	GPC44		#4STR-4SOL		50	2.4	CTN
12926	GPC26	#2STR-2SOL	#6STR-8SOL	C	25	2.3	CTN
12922	GPC22		#2STR-2SOL		25	2.3	CTN
12920	GPC2020	2/0-1/0STR	2/0STR-1/0SOL	O	10	4.1	CTN
12923	GPC2520	250-3/0	2/0-6SOL	997	10	2.3	CTN
12924	GPC2525		250-3/0		10	2.6	CTN
12942	GPC4020	4/0-3/0SOL	2/0STR-1/0SOL	F or D3	10	3.8	CTN
12940	GPC4040		4/0STR-3/0SOL		10	3.3	CTN



Tap or lap-splice for ground rod-to-wire or wire-to-wire connections

GPR SERIES

NAED NUMBER	CATALOG NUMBER	MAIN		TAP	DIE	CTN QTY	EST. SHIPPING	
		ROD	WIRE	WIRE			WEIGHT (lbs)	UNIT
12822	GPR122	1/2, 5/8	250MCM-1/0 STR	#2STR-4SOL	997	10	3.2	CTN
12823	GPR1220			2/0-1/0STR		10	3.0	CTN
12824	GPR1225			250MCM-3/0STR		10	2.6	CTN
12834	GPR342	5/8, 3/4	500-250MCM	#2STR-4SOL	998	10	4.7	CTN
12835	GPR3420			2/0-1/0STR		10	4.6	CTN
12836	GPR3425			250MCM-3/0STR		10	4.2	CTN
12837	GPR3450			500MCM3/0STR		5	5.0	CTN



Perpendicular configuration for ground rod-to-wire or wire-to-wire connections

GPL SERIES

NAED NUMBER	CATALOG NUMBER	ROD	A		B		DIE	CTN QTY	EST. SHIPPING	
			WIRE	WIRE	WIRE	A			B	WEIGHT (lbs)
12722	GPL22	—	#2STR-6SOL	#2STR-6SOL	O	O	4	1.8	CTN	
12723	GPL122	1/2, 5/8	250MCM-1STR	#2STR-6SOL	997	O	4	2.3	CTN	
12724	GPL1225		250MCM-#2STR	250MCM-#2	997	997	2	1.7	CTN	
12734	GPL342	5/8, 3/4	500-250MCM	#2STR-6SOL	998	O	2	2.2	CTN	
12735	GPL3425			250MCM-#2	998	997	2	2.2	CTN	
12736	GPL3450			500-250MCM	999	999	2	3.6	CTN	



Hydraulic tool required for installation for all except GPL22.



GROUND-PRES™

IRREVERSIBLE COMPRESSION SYSTEM

COMPRESSION GROUND TERMINAL

Irreversible compression terminal for direct burial grounding grid applications

Seamless high-conductivity copper

NEMA bolt spacing – for 1/2" bolts on 1³/₄" centers

Pre-filled with oxide inhibitor and capped

Direct Burial

Copper wire only

L-NDB SERIES

NAED NUMBER	CATALOG NUMBER	WIRE SIZE	U-TYPE DIE		CTN QTY	EST. SHIPPING	
			COLOR	INDEX		WEIGHT (lbs)	UNIT
34100	L10NDB	1/0	PINK	12/348	10	1.59	CTN
34200	L20NDB	2/0	BLACK	13	10	1.98	CTN
34300	L30NDB	3/0	ORANGE	14	10	2.24	CTN
34400	L40NDB	4/0	PURPLE	15	10	2.76	CTN
34250	L250NDB	250MCM	YELLOW	16	10	3.54	CTN
34350	L350NDB	350MCM	RED	18/324	6	3.12	CTN
34500	L500NDB	500MCM	BROWN	20/299	6	5.00	CTN



COMPRESSION GROUND SPLICE

Irreversible compression splice for direct burial grounding applications

Seamless high-conductivity copper

Two inspection holes, one for each wire

Pre-filled with oxide-inhibitor and capped

C-DB SERIES

NAED NUMBER	CATALOG NUMBER	WIRE SIZE	U-TYPE DIE		CTN QTY	EST. SHIPPING	
			COLOR	INDEX		WEIGHT (lbs)	UNIT
34101	C10DB	1/0	PINK	12/348	10	1.20	CTN
34201	C20DB	2/0	BLACK	13	10	1.45	CTN
34301	C30DB	3/0	ORANGE	14	10	1.56	CTN
34401	C40DB	4/0	PURPLE	15	10	1.71	CTN
34251	C250DB	250MCM	YELLOW	16	10	2.50	CTN
34351	C350DB	350MCM	RED	18/324	6	1.09	CTN
34501	C500DB	500MCM	BROWN	20/299	6	4.00	CTN



COMPRESSION GROUND PLATE

Irreversible compression ground plate for direct burial grounding applications

Body cast of high-strength, high-conductivity high-copper alloy

NEMA spacing for tapped lug-mounting holes for 1/2" bolts on 1³/₄" centers on floor side

Copper compression element of pure wrought copper, pre-filled with oxide-inhibitor

Tapped positioning hole on underside of plate

Plastic plugs provided in tapped holes

GPP SERIES

NAED NUMBER	CATALOG NUMBER	WIRE RANGE	DIE	MOUNTING HOLES	POSITIONING HOLE	CTN QTY	EST. SHIPPING WEIGHT (lbs)	UNIT
12622	GPP250-2N	250MCM-#2	U997*	(2) 1/2-13	3/8-16**	1	2.50	EA
12624	GPP250-4N			(4) 1/2-13		1	2.73	EA

*PT6515 adapter required with some tools.

** 3/8-16 is standard; others available.

