



## COMPRESSION TOOLS FOR U-TYPE DIES

### 14.8 TON CORDLESS HYDRAULIC TOOL – B1300L-CA

Next generation cordless hydraulic tool, with 18V Li-Ion battery  
 OLED display shows real-time tool operating information: pressure, battery power LED work light  
 Battery-powered hand-held tool for easy installation of compression connectors  
 Two-speed action with rapid approach and slow speed for compression  
 Lightweight construction, balance for one-hand operation  
 Up to 200,000 crimping cycles  
 Accepts all U-type dies, sold separately  
 Operating temperature range: +5 to 122°F  
 C-shaped head with large 1.65 opening for easy insertion of barrels  
 up to 800MCM CU  
 Includes tool, battery, spare battery, shoulder strap, 115VAC charger,  
 and case with locations for 12 U-type dies



U-type dies  
sold separately

NAED NUMBER	CATALOG NUMBER		DIE RANGE AL-CU		DIMENSIONS INCHES	EST. SHIPPING	
			MAX	MIN		WEIGHT (lbs)	UNIT
61281	GRE-801	Tool	CU 800MCM	#8 AWG	18.5 X 4 X 9.4	26.4	EA
			AL 750MCM	#8 AWG			

## HYDRAULIC COMPRESSION TOOLS – MANUAL

Tools accept industry-standard U-type dies, sold separately  
 Two-speed rapid approach action with slow power-speed to complete the compression  
 Includes heavy duty plastic case with storage for U-type dies

### 14.6 TON MANUAL HYDRAULIC TOOL – HT131LNC

C-shaped head with 1.65 inch opening for 800mcm  
 Safety-valve bypasses at max pressure  
 Head can rotate 180 degrees for easy positioning on connector



U-type dies  
sold separately

NAED NUMBER	CATALOG NUMBER	DIE RANGE AL-CU		DIMENSIONS INCHES	EST. SHIPPING	
		MAX	MIN		WEIGHT (lbs)	UNIT
61215	GRE-15	800MCM	8 STR	20.5 X 5.7	21	EA

### 12 TON MANUAL HYDRAULIC TOOL – HKL1232

C-style head with 1.4 inch opening for 750MCM connectors  
 Push button permits dies to be inserted and removed easily  
 Strong lightweight fiberglass handles  
 Accepts industry-standard U-type dies as well as Greenlee KC12, KA12 and KD12  
 UL c/us Listed



U-type dies  
sold separately

NAED NUMBER	CATALOG NUMBER	DIE RANGE AL-CU		DIMENSIONS INCHES	EST. SHIPPING	
		MAX	MIN		WEIGHT (lbs)	UNIT
61216	GRE-16	750MCM	8 STR	24.2 X 5.9	14.4	EA



## COMPRESSION TOOLS

### U-TYPE COMPRESSION DIES

Industry-standard U-type dies fit most 12-14 ton compression tools

NAED NUMBER	CATALOG NUMBER	U-TYPE DIE		COPPER LUGS & SPLICES	WIRE SIZE		PT SERIES ALUM PIN TERMINALS	EST. SHIPPING	
		COLOR	INDEX		ALUM. LUGS & SPLICES	PT SERIES ALUM PIN TERMINALS		WEIGHT (lbs)	UNIT
60804	DIE 0	RED	6	8	–	–	–		EA
60805	DIE-1	BLUE	7/374	6	8	–	–		EA
60810	DIE-2	GRAY	8/346	4	6	–	–	.50	EA
60811	DIE 2A	WHITE	9	3-2 SOL	–	–	–		EA
60815	DIE-3	BROWN	10	2	–	–	–		EA
60820	DIE-4	GREEN	11/375	1	4	–	–		EA
60825	DIE-5	PINK	12/348	1/0	2, 1	–	–		EA
60830	DIE-6	BLACK	13	2/0	–	–	–	.61	EA
60835	DIE-7	TAN	296	–	1/0	6, 4, 2, 1	–		EA
60840	DIE-8	ORANGE	14	3/0	–	–	–		EA
60845	DIE-9	OLIVE	297	–	2/0	–	–		EA
60850	DIE-10	RUBY	467	–	3/0	–	–		EA
60855	DIE-11	PURPLE	15	4/0	–	–	–	.48	EA
60860	DIE-12	YELLOW	16	250 MCM	–	–	–		EA
60865	DIE-13	WHITE	17/298	300 MCM	4/0	–	–	.46	EA
60870	DIE-14	RED	18/324	350 MCM	250 MCM	1/0, 2/0, 3/0, 4/0	–	.44	EA
60875	DIE-15	BLUE	19/470	400 MCM	300 MCM	–	–	.42	EA
60880	DIE-16	BROWN	20/299	500 MCM	350 MCM	250, 300, 350 MCM	–	.40	EA
60885	DIE-17	GREEN	22/472	600 MCM	400 MCM	–	–	.27	EA
60890	DIE-18	PINK	300	–	500 MCM	400, 500 MCM	–	.36	EA
60895	DIE-19	BLACK	24/473	750 MCM	600 MCM	–	–	.34	EA
60899	DIE-20	YELLOW	936	–	750 MCM	600, 750 MCM	–	.33	EA
60898	DIE-21	RED	301	–	750 MCM	–	–	.33	EA



### MANUAL DIELESS QUAD-POINT FLIP-TOP TOOL – HK06FT

4 indentors, flip-top style with pull-pin to open the head

Two-speed pump advances quickly to start the crimp, slowly to complete

Compact, with 350-degree head rotation

Includes carrying case, test gauge, test slugs

NAED NUMBER	CATALOG NUMBER	WIRE RANGE				DIMENSIONS		EST. SHIPPING	
		CU MAX.	CU MIN.	AL MAX.	AL MIN.	L	W	WEIGHT (lbs)	UNIT
61248	GRE-750	750 MCM	4 AWG	750 MCM	6 AWG	21.1	7.5	9.0	EA



GRE-750

### MANUAL SINGLE-POINT DIELESS TOOLS

Single indent compressor

Adjustable for a wide range of copper or aluminum compression connectors

Extension handles on GRE500 provide additional leverage

NAED NUMBER	CATALOG NUMBER	WIRE RANGE				DIMENSIONS		EST. SHIPPING	
		CU MAX.	CU MIN.	AL MAX.	AL MIN.	L	W	WEIGHT (lbs)	UNIT
61250	GRE-250	250 MCM	8 AWG	4/0 AWG	8 AWG	22	4	6.5	EA
61260	GRE-500	500 MCM	8 AWG	500 MCM	8 AWG	26	5	10.2	EA



GRE-250



GRE-500



## COMPRESSION ACCESSORIES

### STACKLUG™ ADAPTERS

Stacking Adapters for Aluminum and Copper Compression Lugs

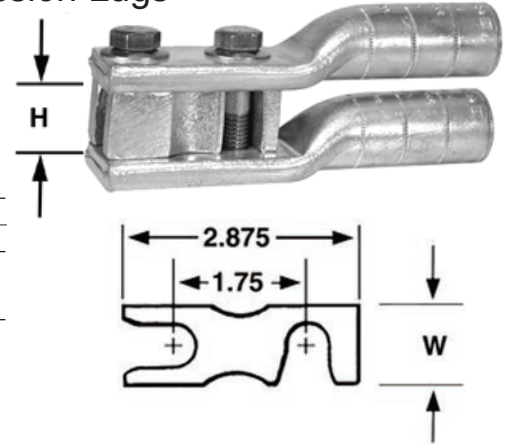
Tin-plated impacted pure aluminum for good conductivity and corrosion resistance

Two sizes accommodate terminals from 1/0 through 750 MCM

Allows stacking of standard terminals

Keeps costly inventories to a minimum

Dual-Rated



### TSA SERIES

NAED NUMBER	CATALOG NUMBER	BOLT SPACING	H	W	TERMINAL MAX - MIN	CTN QTY	EST. SHIPPING	
							WEIGHT (lbs)	UNIT
14090	TSA-875	1.75	.875	1.0	250 - 1/0	10	1.56	CTN
14091	TSA-1125		1.125	1.38	750 - 1/0	10	3.16	CTN

To stack 4 hole NEMA drilled terminals, use 2 adapters assembled in parallel.

### BELLEMORE™ BUSHINGS

Hole-Reducer Mounting Adapters

Material: Tin-plated high copper alloy

Reduces costly lug inventory by making existing inventory more versatile

Makes a secure trouble-free terminal mounting

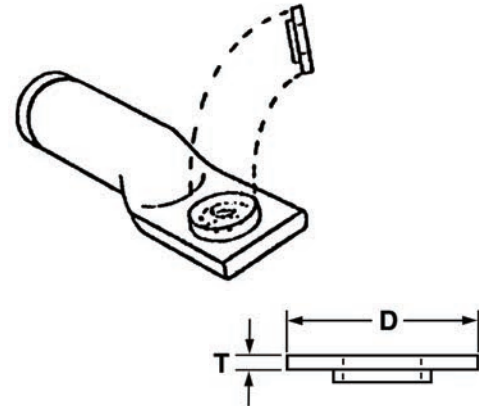
Simple to use: just replace a flat washer with the appropriate bushing

Suitable for use with both copper and aluminum terminals

### LP-R SERIES

NAED NUMBER	CATALOG NUMBER	MOUNTING HOLE REDUCTION	DIMENSIONS		CTN QTY	EST. SHIPPING	
			D	T		WEIGHT (lbs)	UNIT
14013	LP 1R3	5/8 to 1/2	1	.080	10	0.19	CTN
14036	LP 3R6	1/2 to 3/8	7/8	.062	25	0.35	CTN
14030	LP 3R0	1/2 to 1/4	7/8	.062	25	0.28	CTN
14068	LP 6R8	3/8 to 5/16	3/4	.062	25	0.20	CTN
14060	LP 6R0	3/8 to 1/4	3/4	.062	25	0.23	CTN
14080	LP 8R0	5/16 to 1/4	11/16	.062	25	0.15	CTN

Specifically designed for use with Greaves compression connectors.



## WIRE STRIPPING TOOL

Especially convenient for use with Greaves USA, USAD, and PBS connectors

Replaces knives on the jobsite

Made in USA

For end-stripping 600V secondary cable

Convenient for stripping wire for Greaves USA, USAD, and PBS connectors

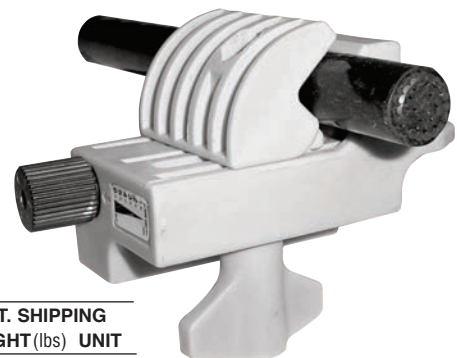
For cable jacket diameter range of 0.5 - 1.3 inch (12.7 - 33mm) OD,

THHN #1/0 - 750MCM cable

Preset blade positions 45, 60, 80, 95, and 110 mil insulation thickness

Quick release adjustment simplifies sizing on cable

Yellow color for easy visibility



### WS SERIES

NAED NUMBER	CATALOG NUMBER	DESCRIPTION	WIRE RANGE	INSTALLED BLADE	DIMENSIONS	EST. SHIPPING	
						WEIGHT (lbs)	UNIT
61300	WS71	Stripping Tool	#1/0-750MCM	CB7	5 x 4 x 2 1/2	0.6	EA



## ACCESSORIES

# BUG-LUG™

## OXIDE-INHIBITOR ELECTRICAL JOINT COMPOUND

Stable over wide temperature range  
 Assures a high-conductivity joint, seals out air and moisture  
 Seals out air and moisture from joint to prevent oxidation and corrosion  
 Suitable for bolted connector applications and aluminum conduit threads  
 Supple round polyethylene squeeze bottle for easy application, wide mouth for wire dipping  
 Compact 12-bottle carton (9 inch wide x 6½ inch deep) fits on a small counter or shelf space

### BLZNG

#### Utility Grade

Universal non-petroleum based oxide-inhibitor compound  
 Contains homogeneously suspended zinc particles  
 Recommended for all AL/AL, AL/CU and CU/CU joints  
 Recommended especially for AL/AL and AL/CU compression joints

Metal particles help to break through thin oxide film on aluminum surfaces  
 Particles aid in gripping the connector and enhance electrical conductivity  
 Compatible with rubber, polyethylene, and most other insulating materials  
 Compatible with linesman rubber gloves  
 Workable from -10°F to 300°F  
 Service Temperature Range -40°F to 350°F  
 Will not wash off from exposure to the elements  
 Grey color

NAED NUMBER	CATALOG NO.	DESCRIPTION	CTN QTY	EST. SHIPPING WEIGHT (lbs) UNIT	
				13	CTN
13990	BLZNG-8	8 fl. oz. SQUEEZE BOTTLE	12	13	CTN



### BLOX

#### Commercial Grade

Petroleum based oxide-inhibitor compound  
 Suitable for all AL/AL, AL/CU, and CU/CU joints  
 Suitable for copper joints in direct burial  
 Not recommended with rubber gloves or rubber insulating materials  
 Compatible with polyethylene and most other insulating materials  
 Workable from -20°F to 300°F  
 Service Temperature Range -40°F to 300°F  
 Amber color

NAED NUMBER	CATALOG NO.	DESCRIPTION	CTN QTY	EST. SHIPPING WEIGHT (lbs) UNIT	
				8	EA
13980	BLOX-8	8 fl. oz. SQUEEZE BOTTLE	12	8	CTN
13982	BLOX-1G	1 Gallon CAN	1	9	EA

