



GREAVES

HARDWARE DURHAM BOLTS™

| NAED NUMBER | CATALOG NUMBER | SIZE | | CTN QTY |
|-------------|----------------|----------|------------|---------|
| | | DIA. | LGTH. (IN) | |
| 71400 | SB 0 | 1/4 -20 | 1/2 | 100 |
| 71405 | SB 00 | 1/4 -20 | 5/8 | 100 |
| 71410 | SB 000 | 1/4 -20 | 3/4 | 100 |
| 71415 | SB 01 | 1/4 -20 | 1 | 100 |
| 71420 | SB 02 | 1/4 -20 | 1 1/4 | 100 |
| 71425 | SB 03 | 1/4 -20 | 1 1/2 | 100 |
| 71430 | SB 05 | 1/4 -20 | 2 | 100 |
| 71435 | SB 07 | 1/4 -20 | 2 1/2 | 50 |
| 71440 | SB 09 | 1/4 -20 | 3 | 50 |
| 71445 | SB 8 | 5/16 -18 | 1/2 | 100 |
| 71450 | SB 80 | 5/16 -18 | 5/8 | 100 |
| 71455 | SB 800 | 5/16 -18 | 3/4 | 100 |
| 71460 | SB 81 | 5/16 -18 | 1 | 50 |
| 71465 | SB 82 | 5/16 -18 | 1 1/4 | 50 |
| 71500 | SB 83 | 5/16 -18 | 1 1/2 | 50 |
| 71505 | SB 84 | 5/16 -18 | 1 3/4 | 50 |
| 71510 | SB 85 | 5/16 -18 | 2 | 50 |
| 71515 | SB 87 | 5/16 -18 | 2 1/2 | 50 |
| 71520 | SB 89 | 5/16 -18 | 3 | 25 |
| 71525 | SB 6 | 3/8 -16 | 1/2 | 100 |
| 71530 | SB 60 | 3/8 -16 | 5/8 | 100 |
| 71535 | SB 600 | 3/8 -16 | 3/4 | 100 |
| 71540 | SB 61 | 3/8 -16 | 1 | 50 |
| 71545 | SB 62 | 3/8 -16 | 1 1/4 | 50 |
| 71550 | SB 63 | 3/8 -16 | 1 1/2 | 50 |
| 71555 | SB 64 | 3/8 -16 | 1 3/4 | 50 |
| 71560 | SB 65 | 3/8 -16 | 2 | 50 |
| 71565 | SB 66 | 3/8 -16 | 2 1/4 | 50 |
| 71570 | SB 67 | 3/8 -16 | 2 1/2 | 50 |
| 71575 | SB 68 | 3/8 -16 | 2 3/4 | 50 |
| 71580 | SB 69 | 3/8 -16 | 3 | 25 |
| 71585 | SB 610 | 3/8 -16 | 3 1/4 | 25 |
| 71590 | SB 611 | 3/8 -16 | 3 1/2 | 25 |
| 71595 | SB 612 | 3/8 -16 | 3 3/4 | 15 |
| 71600 | SB 613 | 3/8 -16 | 4 | 15 |
| 71605 | SB 300 | 1/2 -13 | 3/4 | 100 |
| 71610 | SB 31 | 1/2 -13 | 1 | 50 |
| 71615 | SB 32 | 1/2 -13 | 1 1/4 | 50 |
| 71620 | SB 33 | 1/2 -13 | 1 1/2 | 50 |
| 71625 | SB 34 | 1/2 -13 | 1 3/4 | 50 |
| 71630 | SB 35 | 1/2 -13 | 2 | 50 |
| 71635 | SB 36 | 1/2 -13 | 2 1/4 | 50 |
| 71640 | SB 37 | 1/2 -13 | 2 1/2 | 50 |
| 71645 | SB 38 | 1/2 -13 | 2 3/4 | 50 |
| 71650 | SB 39 | 1/2 -13 | 3 | 25 |
| 71655 | SB 310 | 1/2 -13 | 3 1/4 | 25 |
| 71660 | SB 311 | 1/2 -13 | 3 1/2 | 25 |
| 71665 | SB 312 | 1/2 -13 | 3 3/4 | 25 |
| 71670 | SB 313 | 1/2 -13 | 4 | 15 |
| 71675 | SB 315 | 1/2 -13 | 4 1/2 | 15 |
| 71680 | SB 317 | 1/2 -13 | 5 | 15 |

Silicon Bronze
Hex Head Machine Bolts



PLATING: Above bolts available tin plated.
Add suffix letter "P" to the above catalog numbers.
For sizes not listed consult factory for delivery.



HARDWARE DURHAM BOLTS™

| NAED NUMBER | CATALOG NUMBER | SIZE | | CTN QTY |
|----------------|-------------------|---------|------------|------------|
| | | DIA. | LGTH. (IN) | |
| 71685 | SB 11 | 5/8 -11 | 1 | 25 |
| 71690 | SB 12 | 5/8 -11 | 1¼ | 25 |
| 71700 | SB 13 | 5/8 -11 | 1½ | 25 |
| 71705 | SB 14 | 5/8 -11 | 1¾ | 25 |
| 71710 | SB 15 | 5/8 -11 | 2 | 25 |
| 71715 | SB 16 | 5/8 -11 | 2¼ | 25 |
| 71720 | SB 17 | 5/8 -11 | 2½ | 25 |
| 71725 | SB 18 | 5/8 -11 | 2¾ | 25 |
| 71730 | SB 19 | 5/8 -11 | 3 | 15 |
| 71735 | SB 110 | 5/8 -11 | 3¼ | 15 |
| 71740 | SB 111 | 5/8 -11 | 3½ | 15 |

**Silicon Bronze
Hex Head
Machine Bolts
(Cont.)**



| NAED NUMBER | CATALOG NUMBER | SIZE (IN) | CTN QTY | EST. SHIPPING | |
|----------------|-------------------|-----------|------------|---------------|------|
| | | | | WEIGHT (lbs) | UNIT |
| 71780 | SFW 0 | 1/4 | 100 | .40 | CTN |
| 71785 | SFW 8 | 5/16 | 50 | .30 | CTN |
| 71790 | SFW 6 | 3/8 | 50 | .45 | CTN |
| 71795 | SFW 3 | 1/2 | 50 | 1.15 | CTN |
| 71800 | SFW 1 | 5/8 | 25 | .93 | CTN |

**Silicon Bronze
Flat Washers**



| | | | | | |
|-------|-------|------|-----|-----|-----|
| 71810 | SLW 0 | 1/4 | 100 | .30 | CTN |
| 71815 | SLW 8 | 5/16 | 50 | .20 | CTN |
| 71820 | SLW 6 | 3/8 | 50 | .35 | CTN |
| 71825 | SLW 3 | 1/2 | 50 | .75 | CTN |
| 71830 | SLW 1 | 5/8 | 25 | .60 | CTN |

**Silicon Bronze
Split Lock Washers**

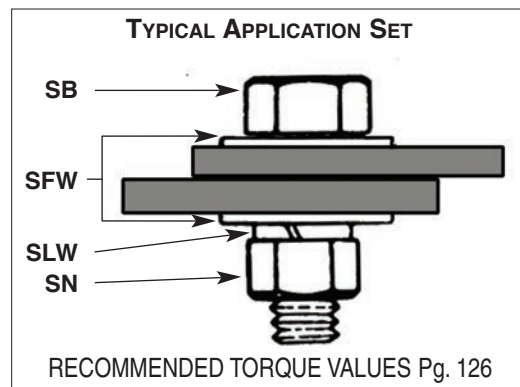


| | | | | | |
|-------|------|----------|-----|------|-----|
| 71750 | SN 0 | 1/4 -20 | 100 | .80 | CTN |
| 71755 | SN 8 | 5/16 -18 | 50 | .60 | CTN |
| 71760 | SN 6 | 3/8 -16 | 50 | .85 | CTN |
| 71765 | SN 3 | 1/2 -13 | 50 | 2.05 | CTN |
| 71770 | SN 1 | 5/8 -11 | 25 | 1.95 | CTN |

**Silicon Bronze
Hex Nuts**



PLATING: Available tin-plated, add suffix "P" to above catalog number.
For sizes not listed consult factory.





HARDWARE STAINLESS STEEL

| NAED NUMBER | CATALOG NUMBER | SIZE | | CTN QTY |
|-------------|----------------|----------|------------|---------|
| | | DIA. | LGTH. (IN) | |
| 71851 | SS 0 | 1/4 -20 | 1/2 | 100 |
| 71852 | SS 00 | 1/4 -20 | 5/8 | 100 |
| 71853 | SS 000 | 1/4 -20 | 3/4 | 100 |
| 71854 | SS 01 | 1/4 -20 | 1 | 100 |
| 71856 | SS 02 | 1/4 -20 | 1 1/4 | 100 |
| 71857 | SS 03 | 1/4 -20 | 1 1/2 | 100 |
| 71858 | SS 05 | 1/4 -20 | 2 | 100 |
| 71859 | SS 07 | 1/4 -20 | 2 1/2 | 50 |
| 71861 | SS 09 | 1/4 -20 | 3 | 50 |
| 71862 | SS 8 | 5/16 -18 | 1/2 | 100 |
| 71863 | SS 80 | 5/16 -18 | 5/8 | 100 |
| 71864 | SS 800 | 5/16 -18 | 3/4 | 100 |
| 71866 | SS 81 | 5/16 -18 | 1 | 50 |
| 71875 | SS 82 | 5/16 -18 | 1 1/4 | 50 |
| 71876 | SS 83 | 5/16 -18 | 1 1/2 | 50 |
| 71878 | SS 84 | 5/16 -18 | 1 3/4 | 50 |
| 71879 | SS 85 | 5/16 -18 | 2 | 50 |
| 71880 | SS 87 | 5/16 -18 | 2 1/2 | 50 |
| 71881 | SS 89 | 5/16 -18 | 3 | 25 |
| 71833 | SS 6 | 3/8 -16 | 1/2 | 100 |
| 71834 | SS 60 | 3/8 -16 | 5/8 | 100 |
| 71835 | SS 600 | 3/8 -16 | 3/4 | 100 |
| 71836 | SS 61 | 3/8 -16 | 1 | 50 |
| 71837 | SS 62 | 3/8 -16 | 1 1/4 | 50 |
| 71838 | SS 63 | 3/8 -16 | 1 1/2 | 50 |
| 71839 | SS 64 | 3/8 -16 | 1 3/4 | 50 |
| 71840 | SS 65 | 3/8 -16 | 2 | 50 |
| 71841 | SS 66 | 3/8 -16 | 2 1/4 | 50 |
| 71842 | SS 67 | 3/8 -16 | 2 1/2 | 50 |
| 71843 | SS 68 | 3/8 -16 | 2 3/4 | 50 |
| 71844 | SS 69 | 3/8 -16 | 3 | 25 |
| 71845 | SS 610 | 3/8 -16 | 3 1/4 | 25 |
| 71882 | SS 611 | 3/8 -16 | 3 1/2 | 25 |
| 71883 | SS 612 | 3/8 -16 | 3 3/4 | 15 |
| 71884 | SS 613 | 3/8 -16 | 4 | 15 |
| 71846 | SS 300 | 1/2 -13 | 3/4 | 100 |
| 71847 | SS 31 | 1/2 -13 | 1 | 50 |
| 71848 | SS 32 | 1/2 -13 | 1 1/4 | 50 |
| 71849 | SS 33 | 1/2 -13 | 1 1/2 | 50 |
| 71850 | SS 34 | 1/2 -13 | 1 3/4 | 50 |
| 71855 | SS 35 | 1/2 -13 | 2 | 50 |
| 71860 | SS 36 | 1/2 -13 | 2 1/4 | 50 |
| 71865 | SS 37 | 1/2 -13 | 2 1/2 | 50 |
| 71867 | SS 38 | 1/2 -13 | 2 3/4 | 50 |
| 71868 | SS 39 | 1/2 -13 | 3 | 25 |
| 71869 | SS 310 | 1/2 -13 | 3 1/4 | 25 |
| 71870 | SS 311 | 1/2 -13 | 3 1/2 | 25 |
| 71871 | SS 312 | 1/2 -13 | 3 3/4 | 25 |
| 71872 | SS 313 | 1/2 -13 | 4 | 15 |
| 71873 | SS 315 | 1/2 -13 | 4 1/2 | 15 |
| 71874 | SS 317 | 1/2 -13 | 5 | 15 |

Stainless Steel
Hex Head Machine Bolts



For sizes not listed, consult factory for delivery.



HARDWARE STAINLESS STEEL

BELLEVILLE WASHERS

Belleville disk spring washers, made of tempered stainless steel, are used to maintain load or tension in bolted assemblies. High tension is maintained, compensating for differential thermal expansion of dissimilar metals. The bolted tension is distributed over the lug tang for the diameter of the Belleville disk, providing greater contact to the pad.

| NAED NUMBER | CATALOG NUMBER | SIZE | CTN QTY | EST. SHIPPING | |
|-------------|----------------|------|---------|---------------|------|
| | | | | WEIGHT (lbs) | UNIT |
| 71926 | SSBW 6 | 3/8 | 50 | .25 | CTN |
| 71930 | SSBW 3 | 1/2 | 50 | .45 | CTN |



FLAT WASHERS

| NAED NUMBER | CATALOG NUMBER | SIZE | CTN QTY | EST. SHIPPING | |
|-------------|----------------|------|---------|---------------|------|
| | | | | WEIGHT (lbs) | UNIT |
| 71901 | SSFW 0 | 1/4 | 100 | .30 | CTN |
| 71902 | SSFW 8 | 5/16 | 50 | .20 | CTN |
| 71900 | SSFW 6 | 3/8 | 50 | .35 | CTN |
| 71905 | SSFW 3 | 1/2 | 50 | .85 | CTN |



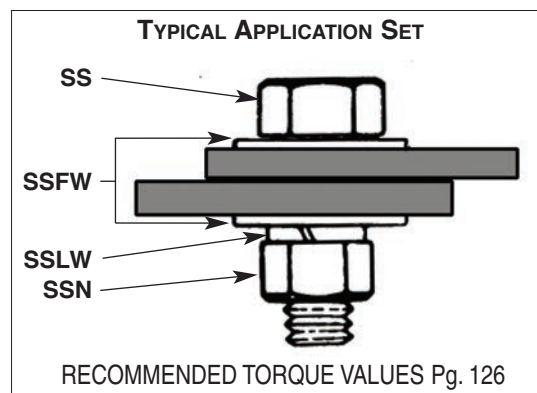
SPLIT LOCK WASHERS

| | | | | | |
|-------|--------|------|-----|-----|-----|
| 71916 | SSLW 0 | 1/4 | 100 | .30 | CTN |
| 71917 | SSLW 8 | 5/16 | 50 | .15 | CTN |
| 71915 | SSLW 6 | 3/8 | 50 | .30 | CTN |
| 71920 | SSLW 3 | 1/2 | 50 | .65 | CTN |



SSN 0 HEX NUTS

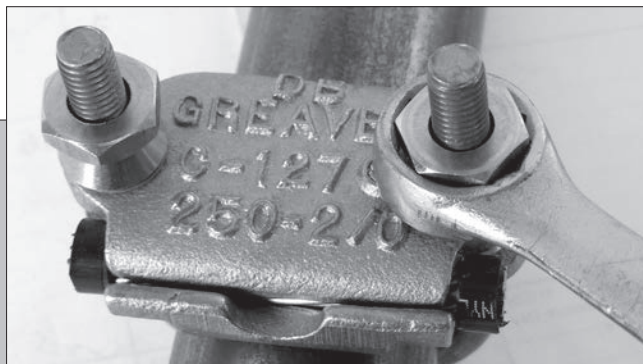
| | | | | | |
|-------|-------|----------|-----|------|-----|
| 71886 | SSN 8 | 1/4 -20 | 100 | .50 | CTN |
| 71887 | SSN 6 | 5/16 -18 | 50 | .35 | CTN |
| 71885 | SSN 3 | 3/8 -16 | 50 | .75 | CTN |
| 71890 | | 1/2 -13 | 50 | 1.80 | CTN |





TORK-AWAY

Security Hardware



Tork-Away connections are reliable, secure and safe.

When the pre-set torque is applied, the hex portion breaks off. This is visual, inspectible proof that the proper torque has been applied. The result is a smooth conical shape which is virtually impossible to grip with any tool, so the connection is extremely tamper-resistant, vandal-resistant, and safe. Tork-Away security hardware is stainless steel nuts and/or bolts for maximum corrosion resistance.



1. Screw on nut as shown



2. Tighten to shear-off hex



3. Remove hex head

Reliability – Tork-Away assures the proper installation torque, so the integrity of the electrical joint is inspectible and assured.

Security – Tork-Away provides a safe connection which cannot be removed without destroying the hardware... virtually tamper-proof and vandal-proof.

Installability – Tork-Away is installed with common tools... no molds, no flames, no weather limitations.

Inspectability – Tork-Away is easily inspected... when the hex portion is gone, the proper torque has been applied and a reliable, safe connection is assured.

Irreversible – A Tork-Away connection cannot be removed without destruction.

Numerous Greaves products are available with the Tork-Away feature:

- U-bolt clamps – CH, CG (Fig 2)
- Ground rod clamps – G1500
- I-beam clamps – GBC40, GBCL
- Universal Ground Clamps – CX
- Stainless steel hardware for lug mounting
- Fence Ground Clamp – GFGC